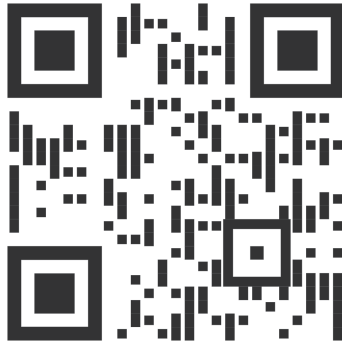


MINOVA

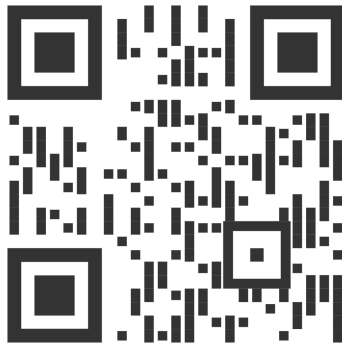
KD-02D & KD-02DT RIVET TOOL



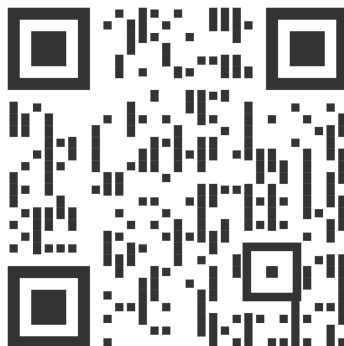
Please feel free to contact us if you have any questions or concerns.



contact@minovatool.com



support@minovatool.com



<https://www.youtube.com/@minovatool>

SAFETY INSTRUCTIONS

⚠ WARNING General Power Tool Safety Warnings

Read all safety warnings, instructions, illustrations and specifications provided with this power tool. Failure to follow all instructions listed below may result in electric shock, fire and/or serious injury.

Save all warnings and instructions for future reference.

The term "power tool" in the warnings refers to your mains-operated (corded) power tool or battery-operated (cordless) power tool.

WORK AREA SAFETY

- **Keep work area clean and well lit.** Cluttered or dark areas invite accidents.
- **Do not operate power tools in explosive atmospheres, such as in the presence of flammable liquids, gases or dust.** Power tools create sparks which may ignite the dust or fumes.
- **Keep children and bystanders away while operating a power tool.** Distractions can cause you to lose control.

ELECTRICAL SAFETY

- **Power tool plugs must match the outlet. Never modify the plug in any way. Do not use any adapter plugs with earthed (grounded) power tools.** Unmodified plugs and matching outlets will reduce risk of electric shock.
- **Avoid body contact with earthed or grounded surfaces, such as pipes, radiators, ranges and refrigerators.** There is an increased risk of electric shock if your body is earthed or grounded.
- **Do not expose power tools to rain or wet conditions.** Water entering a power tool will increase the risk of electric shock.
- **Do not abuse the cord. Never use the cord for carrying, pulling or unplugging the power tool. Keep cord away from heat, oil, sharp edges or moving parts.** Damaged or entangled cords increase the risk of electric shock.
- **When operating a power tool outdoors, use an extension cord suitable for outdoor use.** Use of a cord suitable for outdoor use reduces the risk of electric shock.
- **If operating a power tool in a damp location is unavoidable, use a residual current device (RCD) protected supply.** Use of an RCD reduces the risk of electric shock.

PERSONAL SAFETY

- **Stay alert, watch what you are doing and use common sense when operating a power tool. Do not use a power tool while you are tired or under the influence of drugs, alcohol or medication.** A moment of inattention while operating power tools may result in serious personal injury.
- **Use personal protective equipment. Always wear eye protection.** Protective equipment such as a dust mask, non-skid safety shoes, hard hat or hearing protection used for appropriate conditions will reduce personal injuries.
- **Prevent unintentional starting. Ensure the switch is in the off-position before connecting to power source and/or battery pack, picking up or carrying the tool.** Carrying power tools with your

finger on the switch or energizing power tools that have the switch on invites accidents.

- **Remove any adjusting key or wrench before turning the power tool on.** A wrench or a key left attached to a rotating part of the power tool may result in personal injury.
- **Do not overreach. Keep proper footing and balance at all times.** This enables better control of the power tool in unexpected situations.
- **Dress properly. Do not wear loose clothing or jewelry. Keep your hair and clothing away from moving parts.** Loose clothes, jewelry or long hair can be caught in moving parts.
- **If devices are provided for the connection of dust extraction and collection facilities, ensure these are connected and properly used.** Use of dust collection can reduce dust-related hazards.
- **Do not let familiarity gained from frequent use of tools allow you to become complacent and ignore tool safety principles.** A careless action can cause severe injury within a fraction of a second.

POWER TOOL USE AND CARE

- **Do not force the power tool. Use the correct power tool for your application.** The correct power tool will do the job better and safer at the rate for which it was designed.
- **Do not use the power tool if the switch does not turn it on and off.** Any power tool that cannot be controlled with the switch is dangerous and must be repaired.
- **Disconnect the plug from the power source and/or remove the battery pack, if detachable, from the power tool before making any adjustments, changing accessories, or storing power tools.** Such preventive safety measures reduce the risk of starting the power tool accidentally.
- **Store idle power tools out of the reach of children and do not allow persons unfamiliar with the power tool or these instructions to operate the power tool.** Power tools are dangerous in the hands of untrained users.
- **Maintain power tools and accessories. Check for misalignment or binding of moving parts, breakage of parts and any other condition that may affect the power tool's operation. If damaged, have the power tool repaired before use.** Many accidents are caused by poorly maintained power tools.
- **Keep cutting tools sharp and clean.** Properly maintained cutting tools with sharp cutting edges are less likely to bind and are easier to control.
- **Use the power tool, accessories and tool bits etc. in accordance with these instructions, taking into account the working conditions and the work to be performed.** Use of the power tool for operations different from those intended could result in a hazardous situation.
- **Keep handles and grasping surfaces dry, clean and free from oil and grease.** Slippery handles and grasping surfaces do not allow for safe handling and control of the tool in unexpected situations.

BATTERY TOOL USE AND CARE

- **Recharge only with the charger specified by the manufacturer.** A charger that is suitable for one type of battery pack may create a risk of fire when used with another battery pack.
- **Use power tools only with specifically designated battery packs.** Use of any other battery packs may create a risk of injury and fire.
- **When battery pack is not in use, keep it away from other metal objects, like paper clips, coins,**

keys, nails, screws or other small metal objects, that can make a connection from one terminal to another. Shorting the battery terminals together may cause burns or a fire.

- **Under abusive conditions, liquid may be ejected from the battery; avoid contact.** If contact accidentally occurs, flush with water. If liquid contacts eyes, additionally seek medical help. Liquid ejected from the battery may cause irritation or burns.

- **Do not use a battery pack or tool that is damaged or modified.** Damaged or modified batteries may exhibit unpredictable behavior resulting in fire, explosion or risk of injury.

- **Do not expose a battery pack or tool to fire or excessive temperature.** Exposure to fire or temperature above 265°F (130°C) may cause explosion.

- **Follow all charging instructions and do not charge the battery pack or tool outside the temperature range specified in the instructions.** Charging improperly or at temperatures outside the specified range may damage the battery and increase the risk of fire.

SERVICE

- **Have your power tool serviced by a qualified repair person using only identical replacement parts.** This will ensure that the safety of the power tool is maintained.

- **Never service damaged battery packs.** Service of battery packs should only be performed by the manufacturer or authorized service providers.

SPECIFIC SAFETY RULES FOR RIVET TOOL

- **Hold power tool by insulated gripping surfaces when performing an operation where the fastener may contact hidden wiring.** Fasteners contacting "live" wire may make exposed metal parts of the power tool "live" and could give the operator an electric shock.

- **Always wear eye protection, hearing protection, and protective clothing and footwear. Wear heavy, long pants, long sleeves, boots, and gloves. Contain long hair.** Do not wear loose clothing or jewelry. Do not wear short pants, sandals, or go barefoot.

- **Always use mandrel box.** Spent mandrels can be ejected from the tool, causing injury.

- **Always use common sense and be cautious when using tools.** It is not possible to anticipate every situation that could result in a dangerous outcome. Do not use this tool if you do not understand these operating instructions or you feel the work is beyond your capability; contact Minova Tool or a trained professional for additional information or training.

- **Maintain labels and nameplates.** These carry important information. If unreadable or missing, contact a Minova service facility for a free replacement.

- **WARNING** Some dust created by power sanding, sawing, grinding, drilling, and other construction activities contains chemicals known to cause cancer, birth defects or other reproductive harm. Some examples of these chemicals are:

- lead from lead-based paint

- crystalline silica from bricks and cement and other masonry products, and arsenic and chromium from chemically-treated lumber.

- Your risk from these exposures varies, depending on how often you do this type of work. To reduce your exposure to these chemicals: work in a well-ventilated area, and work with approved safety equipment, such as those dust masks that are specially designed to filter out microscopic particles.

- **Do not overload the machine.** Use the electric riveting machine that is suitable for your work.

- **Do not use an electric riveting machine that has a defect power switch.** An electric riveting machine which cannot be turned on and off any more is dangerous and has to be repaired.
- **Remove the battery before making adjustments to the device, changing accessories or putting the device away.** This safety precaution prevents the inadvertent start of the electric riveting machine.
- **Store unused electric riveting machine out of the reach of children.** Do not allow persons not familiar with the device or persons who haven't read these instructions to operate the device. Electric riveting machines are dangerous when in the hands of inexperienced persons.

PRODUCT DESCRIPTION AND SPECIFICATIONS FOR KD-02D/DT



READ ALL THE SAFETY AND GENERAL INSTRUCTIONS

Failure to observe the safety and general instructions may result in electric shock, fire and/or serious injury.

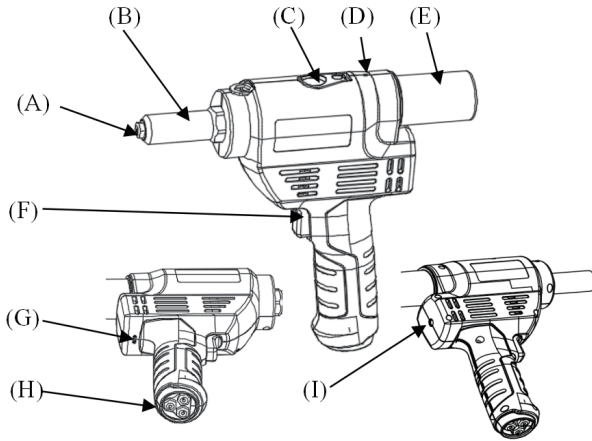
TECHNICAL DATA

RIVET TOOL	KD-02D & KD-02DT
Applicable Rivets	ø3/32" ø1/8" ø5/32" ø3/16" (Rivets of all types of material) ø2.4mm, ø 3.2mm, ø 4.0mm, ø 4.8mm (Rivets of all types of material)
Body Weight	3.7 lbs / 1.68kg
Operational Pulling Force	2700 lbf / 12000N
Rivet Pulling Time	1.4s
Rivet Stroke	1" / 25 mm
Motor	12V DC550
Built-in Battery	12V 2.0 Ah 24Wh

CHARGING

RIVET TOOL	KD-02D	KD-02DT
Charger	1.3A Charger	5V Charger
Charger Connector	DC Charger	TYPE-C
Charging Voltage	13V	5V
Charging Time (0 to 100% charged)	120 mins	240 mins

FUNCTIONAL DESCRIPTION



(A) Nose Piece

(B) Nose Housing

(C) Hook

(D) LED

(E) Mandrel Collector

(F) Trigger

(G) TYPE-C (KD-02DT)

(H) Nose Piece (accessories)

(I) DC Charging (KD-02D)

ASSEMBLY

WARNING: Recharge only with the charger specified for the battery. For specific charging instructions, read the operator's manual supplied with your charger and battery.

Removing/Inserting the Battery

- To remove the battery, push in the release buttons and pull the battery pack away from the tool.

WARNING: Always remove the battery pack any time the tool is not in use. To insert the battery, slide the pack into the body of the tool. Make sure it latches securely into place.

WARNING: Only use accessories specifically recommended for this tool. Others may be hazardous. Always use mandrel box. Spent mandrels can be ejected from the tool, causing injury.

INSTALLING/EMPTYING MANDREL BOX

Once the rivet is set, the mandrel collects in the box. Empty the mandrel box often to avoid jamming the tool.

WARNING: Never use the tool without the mandrel box installed. Loose mandrels could cause a hazard.

1. To install the mandrel box, line up the box with the detents in the tool. Slide the box onto the tool, and rotate to lock in place.
2. To empty the mandrel box, rotate the box and pull away from the tool. Empty the box and reinstall before use.

INSTALLING THE NOSE PIECE

The rivet tool comes with corresponding nose pieces for different blind rivet sizes.

1. Remove battery pack or AC/DC adaptor.
2. Remove the nose housing from the tool (recommended). NOTE: Due to the spring, it can be difficult to install the nose piece into the nose housing without first removing the nose housing.
3. Remove the nose piece from the nose housing and store it in the nose piece box.
4. Select the correct nose piece for the rivet to be installed from the nose piece box.
5. Insert the new nose piece into the nose housing. Use wrench to tighten securely.
6. Screw the nose housing onto the tool and tighten securely with wrench.

Machine Type	Nose Piece					
	3/32" (2.4 mm)	1/8" (3.2 mm)	5/32" (4.0 mm)	3/16" (4.8 mm)	7/32" (6.0 mm)	1/4" (6.4 mm)
KD-02D/DT	✓	✓	✓	✓		

OPERATION

WARNING: To reduce the risk of injury, always wear proper eye protection marked to comply with ANSI Z87.1. Always remove battery pack before changing or removing accessories. Only use accessories specifically recommended for this tool. Others may be hazardous. Always hold tool securely and anticipate a sudden reaction.

USING THE RIVET TOOL

1. Prepare the workpiece. If necessary, drill a pilot hole.
2. Place the blind rivet mandrel into the nose piece.
3. Insert the rivet end into the workpiece. Hold the tool securely and pull and hold the trigger until the rivet is fully set and the motor stops. Release the trigger. The tool will reset.

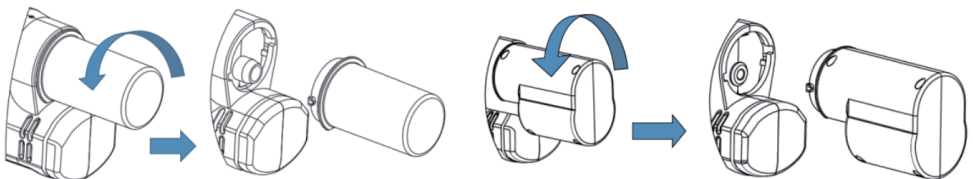
NOTE: Releasing the trigger before the rivet is fully set will cause the tool to return to its starting position.

4. After setting the blind rivet, insert the next rivet to push the spend mandrel to the mandrel box.
5. Tip the tool back to clear the mandrel. It will slide into the mandrel box.
6. Empty the mandrel box frequently, depending on size.

REMOVING MANDRELS

Take off the collection as figures show below, then remove mandrels.

Always assemble the collection back to the rivet gun after removing mandrels!



MAINTENANCE

WARNING: To reduce the risk of injury, always unplug the charger and remove the battery pack from the charger or tool before performing any maintenance. Never disassemble the tool, battery pack or charger. Contact a MINOVA service facility for ALL repairs.

MAINTAINING TOOL

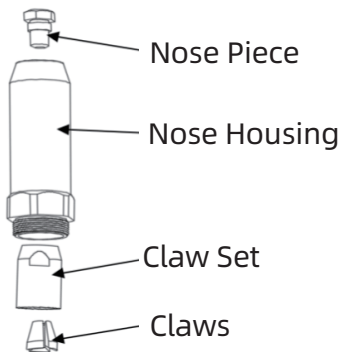
Keep your tool, battery pack and charger in good repair by adopting a regular maintenance program. Inspect your tool for issues such as undue noise, misalignment or binding of moving parts, breakage of parts, or any other condition that may affect the tool operation. Return the tool, battery pack, and charger to a MINOVA service facility for repair. After six months to one year, depending on use, return the tool, battery pack and charger to a MINOVA service facility for inspection.

If the tool does not start or operate at full power with a fully charged battery pack, clean the contacts on the battery pack. If the tool still does not work properly, return the tool, charger and battery pack, to a MINOVA service facility for repairs.

CLEANING/LUBRICATING/CLAWS REPLACEMENT

Clean and lubricate the nose of the Nose housing Nose piece Guide Jaws Pusher tube Spring tool after heavy use (500 rivets) or if tool becomes contaminated with dust and debris.

1. Remove the scrap nail collector to power off the machine.
2. Remove the nose housing from the tool and the nose piece from the housing.
3. Remove the guide (with jaws), pusher tube, and spring from the tool.
4. Clean all pieces with a dry cloth and inspect for damage. If claw has been aging, return to a MINOVA service facility for repairs.
5. Apply a small amount of lube oil to the pieces and reassemble, as shown. Ensure the jaws are properly seated in the guide.



WARNING: To reduce the risk of personal injury and damage, never immerse your tool, battery pack or charger in liquid or allow a liquid to flow inside them.

CLEANING

Clean dust and debris from any vents. Keep tool clean, dry and free of oil or grease. Use only mild soap and a damp cloth to clean, since certain cleaning agents and solvents are harmful to plastics and other insulated parts. Some of these include gasoline, turpentine, lacquer thinner, paint thinner, chlorinated cleaning solvents, ammonia and household detergents containing ammonia. Never use flammable or combustible solvents around tools.

REPAIRS

For repairs, return the tool, battery pack and charger to the nearest authorized service center.

ACCESSORIES

WARNING: Use only recommended accessories. Others may be hazardous.